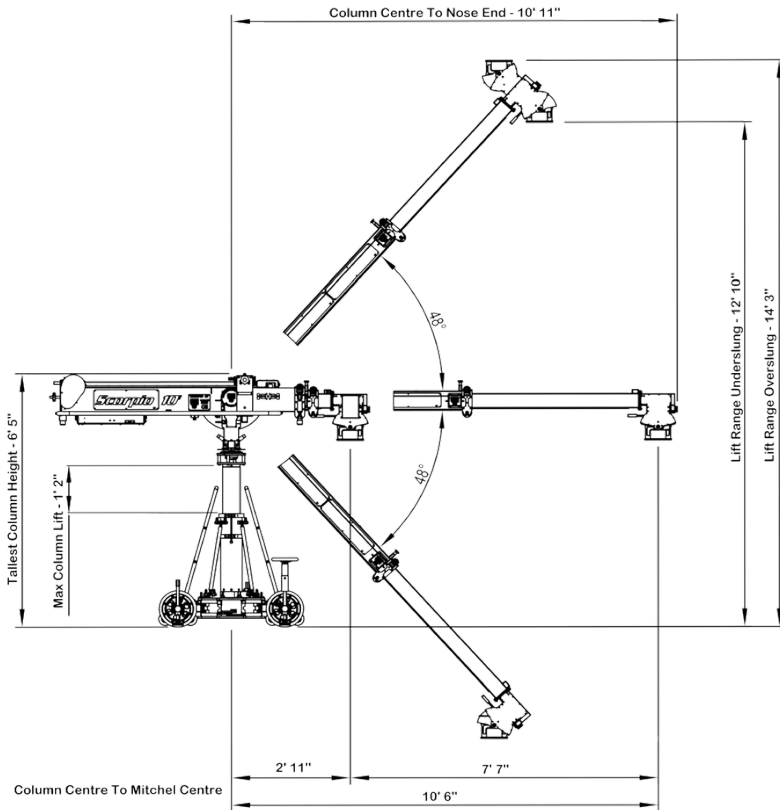


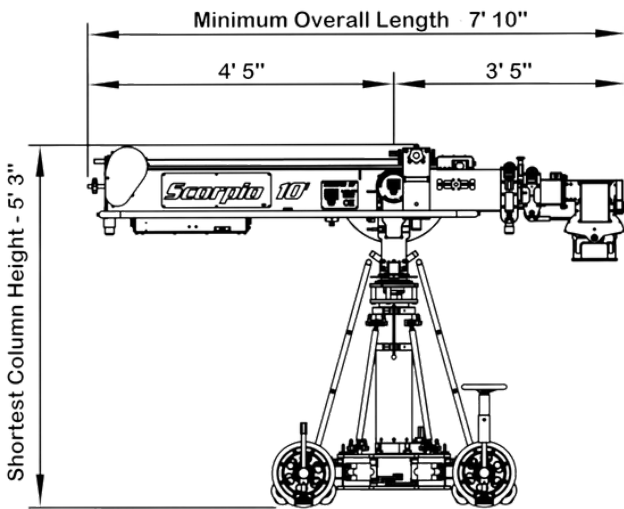


# SCORPIO 10

## ARC & TELESCOPE MEASUREMENTS



## SHORTEST LENGTH MEASUREMENTS

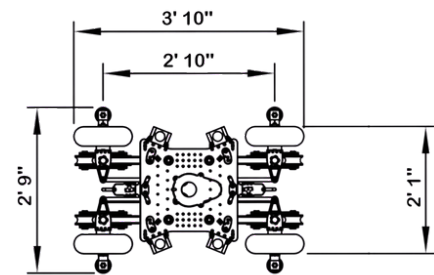
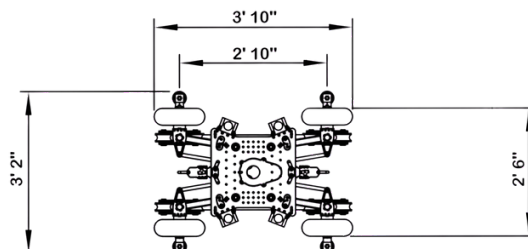
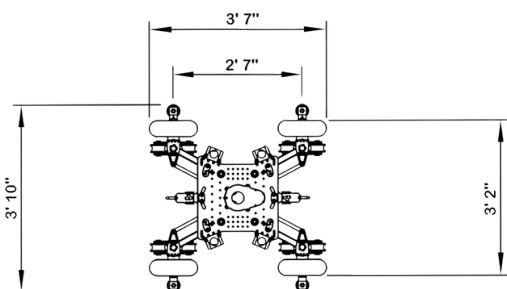


## BASE CONFIGURATIONS

### STUDIO MODE

### NARROW STUDIO MODE

### TRAVEL MODE ONLY



## OVERVIEW

Engineered for precision and fluidity, the Scorpio 10 is a compact, two-section telescopic camera crane ideal for tight or controlled environments. It features nearly 11 feet of reach, a 77" telescopic extension, and strong maximum lens heights in both overslung and underslung configurations, delivering premium performance while remaining highly portable and easy to rig and operate.

## OPERATION MODES

The Scorpio 10 offers two methods of operation when paired with any of the following heads. **Scorpio EZ, Mini V Stabilised and Micro V Stabilised.**

### Single-Operator Mode

In this mode, the crane is operated in a similar way to a conventional Jimmy Jib. Head and lens controls are positioned at the rear of the arm, allowing the operator full control of both the remote head and crane movement. A dedicated technician independently controls the telescopic extension of the arm.

### Conventional Mode

Conventional mode is used when productions require complex or highly choreographed crane shots, such as scripted music performances. In this setup, a grip and technician manage the crane's movement, while the operator works from a control desk with full control of the head and lens.

## AR INTERGRATION

**Scorpio AR** is an optional system that can be integrated with the crane, enabling graphics companies to capture precise positional data. When paired with a Scorpio EZ Head, the AR system also transfers camera data, allowing the crane and camera to be accurately represented within a virtual environment. This enables seamless integration of real-world camera movement into augmented reality productions.

## REMOTE HEAD COMPATABILITY

The Scorpio 10 crane is designed with full remote-head flexibility, making it a highly adaptable tool for film and television production. Its universal mounting interface and robust payload capacity allow it to support virtually any remote head, from lightweight gyro-stabilised systems to larger, high-precision heads.